

# HARLO® HP5000



## ENGINE

Model	Cummins QSF3.8L Tier 4 Final Emission Certified
Type	4 Cycle Turbocharged Diesel
Cylinders	4
Displacement	229 CID
Fuel Injection	Electronic
Fuel	Ultra Low Sulfur Diesel
Tank Capacity	24 Gallons
Cooling	Liquid Cooled
Engine Speeds	RPM
Max Speed	2500
Idle Speed	900
Horse Power	74 HP @ 2400
Maximum Torque	295FT-LB @ 1600
Water Pump Style	Integral
Engine Oil	SAE 15W - 40

## TIRES

Front	16.9 x 24 (12 Ply)
Rear 4WD	12 - 16.5 (10 Ply)

## ELECTRICAL

Voltage	12 Volts
Alternator	135 Amp
Battery	2 @ 950 CCA
Power Plugs	1 Standard

## MAST

Forward Tilt	11 Degrees
Backward Tilt	15 Degrees
Side Shift	3" Left / 3" Right
Easy Ride Load	Standard

## HYDRAULICS

Main Pump Piston Type	Pressure Compensated
Pump Flow	35 GPM @ 2400 RPM
Tank Capacity	12.25 Gallons

## POWERTRAIN

Transmission	Syncromesh Synchro - Shuttle
Gear Ratios	4 Forward / 4 Reverse
1st	5.603:1
2nd	3.480:1
3rd	1.584:1
4th	0.793:1
Travel Speeds	MPH
1st	3.9
2nd	6.2
3rd	13.9
4th	27.4
Torque Converter Ratio	2.64:1
Front / Rear Axle (4WD)	
Differential Ratio	2.33:1 / 2.46:1
Planetary Hub Ratio	6.923:1 / 6.00:1
Overall Ratio	16.15:1 / 12.80:1
Service Brake Type	Oil (Wet) Multi Disk
Parking Brake Type	Cable Activated
Parking Break Location	Floor

## WARNING LIGHTS

Engine Oil Pressure - Transmission Oil  
Temperature - Air Cleaner Restriction  
Alternator Charge - Engine Water  
Temperature - Parking Brake  
Fuel Level - Engine Preheat

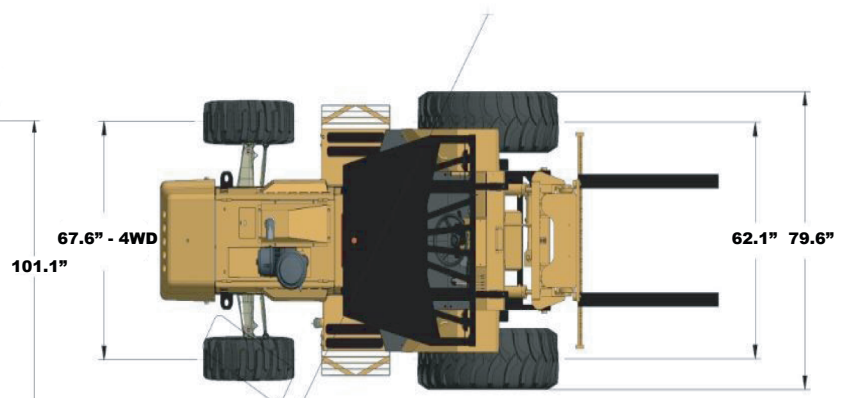
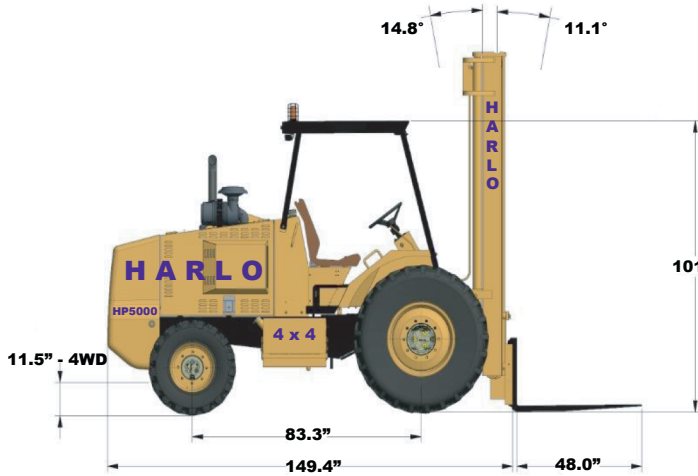
# OPERATOR ENVIRONMENT

**STANDARD SAFETY:** Adjustable Seat Cushion - Rear View Mirror - Seatbelt - FOP  
Overhead Guard - See-thru Masts - A.N.S.I. B 56.6 Safety Complaint

**AUDIBLE ALARMS:** Backup Alarm - Horn

**GAUGES:** Fuel Level - Hour Meter - Voltmeter - Coolant Temperature - Tachometer  
Oil Pressure

# DIMENSIONS



**Turning Radius**  
 4WD with brakes 10'-2"  
 4WD without breaks 12'-7"

Lift Height	Carriage Type	Carriage Width	Stage	Overall Lowered	Overall Extended	Capacity at 24" Load Center	4WD Weight	Freelift
12' Roller	Notch ITA	48"   60"   72"   84"	2	113"	183"	5000lbs to 12'	11,897 lb	None
14' Roller	Notch ITA	48"	3	95"	215"	5000lbs to 14'	12,147 lb	58"
12' Roller	Swing Carriage	48"	2	113"	183"	5000lbs to 12'	11,897 lb	None

\*For other options, please contact factory

[www.harlo.com](http://www.harlo.com)

800-391-4151



[instagram.com/harloforklifts](https://www.instagram.com/harloforklifts)



[facebook.com/harloforklifts](https://www.facebook.com/harloforklifts)



[twitter.com/harloforklifts](https://www.twitter.com/harloforklifts)